

## A4-3 Push-to-Close Latch

Push-to-open · Large

### Features

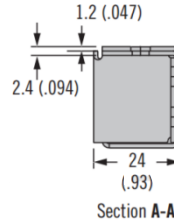
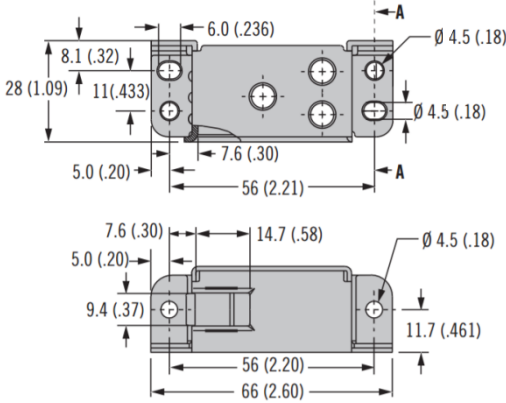
- Heavy-duty construction
- Push-to-close, push-to-open

### Material

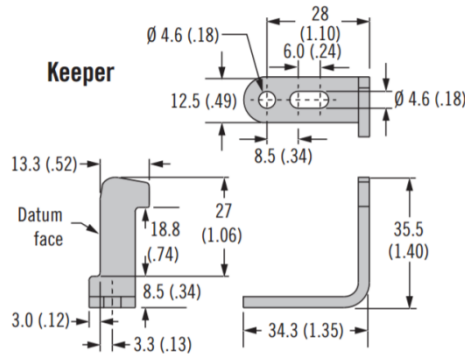
- Steel, zinc plated



### Housing Assembly



### Keeper



Description	Part Number
Latch	A4-30-201-12
Keeper	A4-36-201-12

## A4-2 Push-to-Close Latch

Push-to-open · Small

### Features

- Accommodates misalignment
- Push-to-close, push-to-open

### Material

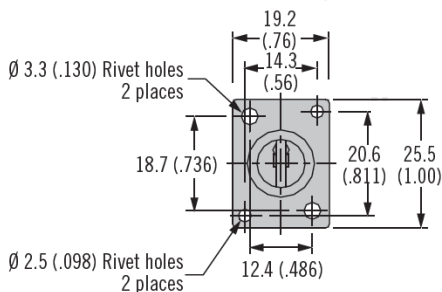
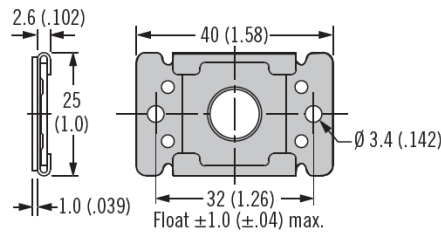
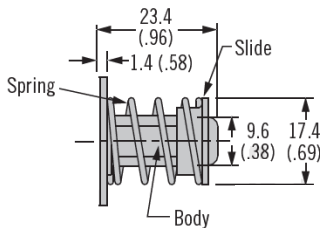
- Steel, zinc plated and thermoplastic, black



### Pin Latch

### Optional Floating Receptacle

Notes: Floating part of receptacle faces pin latch



Part Number	
Pin latch	A4-20-501-10
Optional floating receptacle	A4-26-502-10